

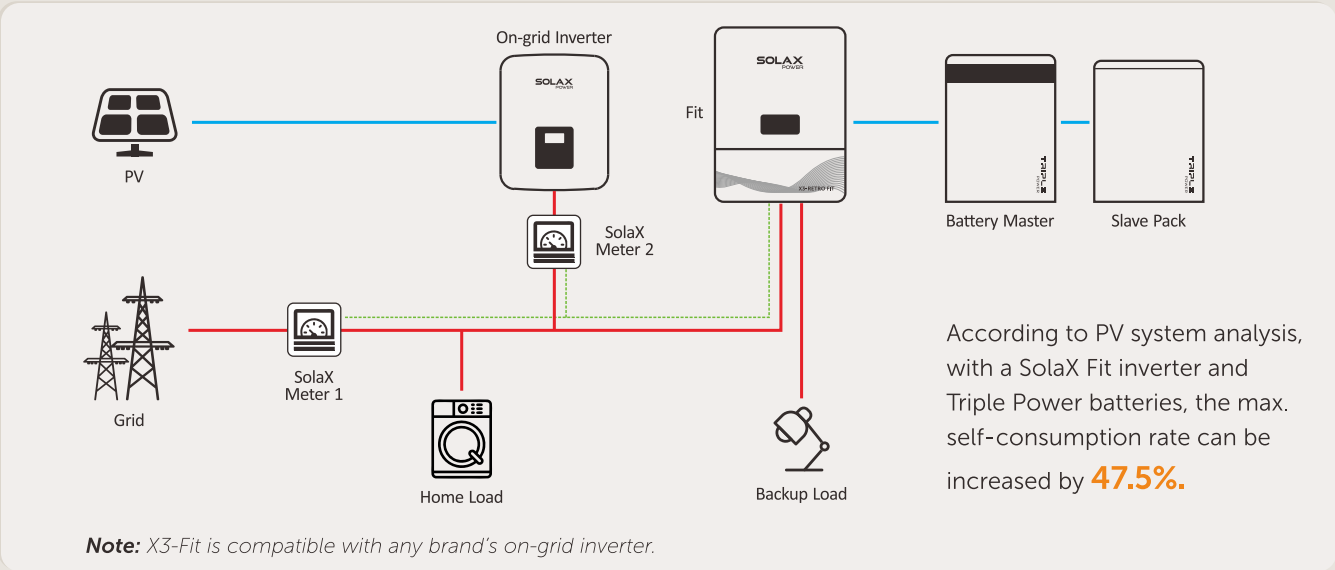
Here 's a chance to pay €0 for electricity bill .

Why Not ?

Just add the SolaX Power **X3-Fit** to your existing or new build solar system, you're one more step closer to energy independence.



X3-Fit 8.0kW
X3-Fit 10.0kW



According to PV system analysis, with a SolaX Fit inverter and Triple Power batteries, the max. self-consumption rate can be increased by **47.5%**.

Note: X3-Fit is compatible with any brand's on-grid inverter.



www.solaxpower.com
info@solaxpower.com
service@solaxpower.com

Global: +86 571-56260008
AU: +61 1300 476529
DE: +49 6142 4091664

UK: +44 2476 586998
NL: +31 (0) 852 737932



X3-RETRO FIT (THREE PHASE)

Version: E,C
 E:with EPS function
 C:without EPS function

X3-Fit-8.0

X3-Fit-10.0

OUTPUT (AC)	X3-Fit-8.0		X3-Fit-10.0	
	E Version	C Version	E Version	C Version
Nominal AC power [VA]	8000	8000	10000	10000
Max. apparent AC power [VA]	8000	8000	10000	10000
Nominal grid voltage(AC voltage range) [V]	400V/230VAC;380/220VAC			
Nominal grid frequency/range [Hz]	50/60			
Nominal AC current [A]	11.6	11.6	14.5	14.5
Max. AC current [A]	12.8	12.8	16.0	16.0
Displacement power factor	0.8 leading to 0.8 lagging			
THDi, rated power [%]	<3			
INPUT AC				
Max. apparent AC power[VA]	8000	8000	10000	10000
Max. AC current[A]	12.8	12.8	16.0	16.0
Nominal grid voltage(AC voltage range)[V]	400/230;380/220			
Nominal grid Frequency/range[Hz]	50/60			
OUTPUT DC (BATTERY)				
Compatible battery type	Lithium-ion / Lead Acid			
Battery voltage range [V]	160-800			
Max.continuous charge/discharge current [A]	35(0.5H)			
Communication interfaces	CAN/ RS485			
Reverse connect protection	YES			
OFF-GRID OUTPUT(WITH BATTERY)				
MAX. continuous apparent power [VA]	8000	-	10000	-
Rated voltage[VAC],Frequency [Hz]	400/230;380/220 50/60	-	400/230;380/220 50/60	-
MAX.continuous current [A]	11.6	-	14.5	-
Peak apparent power [VA] Duration [s]	10000 60	-	10000 60	-
Changeover time [s]	<1.5	-	<1.5	-
THDv, linear Load [%]	<2	-	<2	-
Changeover device	external	-	external	-
Three phases unbalanced	YES			
EFFICIENCY				
Max. Battery charge efficiency (GRID to BAT)	96.0			
Max. Battery discharge efficiency (BAT to AC)	96.5			
POWER CONSUMPTION				
Standby consumption (Night) [W]	<25 for hot standby, <3 for cold standby			
SAFETY& PROTECTION				
Over/under voltage protection	Yes			
Monitoring ground fault protection	Yes			
Grid protection	Yes			
STANDARD				
Safety	IEC62477			
EMC	EN 61000-6-1 / EN 61000-6-2 / EN 61000-6-3			
Certification	VDE 0126-1-1 A1:2012 / VDE-AR-N 4105 / G98 / AS4777 / EN50549/ CEI 0-21			
ENVIRONMENT LIMIT				
Degree of protection(according to IEC60529)	IP65			
Operating temperature range [°C]	-20 ~ +60 (derating at +45)			
Max. operation altitude [m]	<2000			
Humidity [%]	0~100 (condensing)			
Storage temperature [°C]	-20 ~ +60			
Typical noise emission [dB]	40			
DIMENSION AND WEIGHT				
Dimensions(WxHxD) [mm]	457*654*228			
Weight [kg]	38			
Cooling concept	Natural			
Topology	Non-isolated			
Communication interfaces	Ethernet/Meter/Pocket WiFi(optional)/Pocket LAN(optional)/Pocket GPRS(optional)/DRM/USB/ISO alarm/CAN/BMS/NTC			
LCD display	Backlight 20*4 character			
Standard warranty [year]	10			