

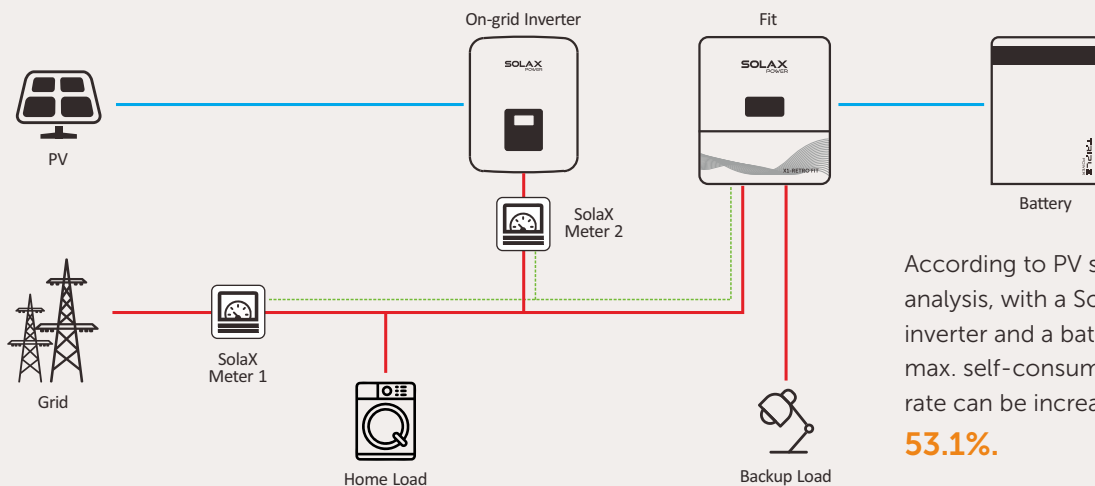
Here 's a chance to pay €0 for electricity bill .

# Why Not ?

Just add the SolaX Power **X1-Fit** to your existing or new build solar system, you're one more step closer to energy independence.



X1-Fit 3.7E  
X1-Fit 4.6E  
X1-Fit 5.0E



According to PV system analysis, with a SolaX Fit inverter and a battery, the max. self-consumption rate can be increased by **53.1%**.

**Note:** X1-Fit is compatible with any brand's on-grid inverter.



[www.solaxpower.com](http://www.solaxpower.com)  
[info@solaxpower.com](mailto:info@solaxpower.com)  
[service@solaxpower.com](mailto:service@solaxpower.com)

Global: +86 571-56260008  
AU: +61 1300 476529  
DE: +49 6142 4091664

UK: +44 2476 586998  
NL: +31 (0) 852 737932



# X1-RRETRO FIT (SINGLE PHASE) E:with EPS function

## X1-FIT-3.7E

## X1-FIT-4.6E

## X1-FIT-5.0E

### OUTPUT (AC)

	E Version	E Version	E Version
Nominal AC power [VA]	3680	4600	4999
Max. apparent AC power [VA]	3680	4600	4999
Nominal grid voltage(AC voltage range) [V]	220/230/240 (180 - 270 )	220/230/240 (180 - 270 )	220/230/240 (180 - 270 )
Nominal grid frequency/range [Hz]	50/60	50/60	50/60
Nominal AC current [A]	16	20	21.7
Max. AC current [A]	16	21	21.7
Displacement power factor	0.8 leading to 0.8 lagging	0.8 leading to 0.8 lagging	0.8 leading to 0.8 lagging
THDi, rated power [%]	<2	<2	<2

### INPUT AC

Max. apparent AC power[VA]	3680	4600	4999
Max. AC current[A]	16	21	21.7
Nominal grid voltage(AC voltage range)[V]	220/230/240 (180 - 270)	220/230/240 (180 - 270)	220/230/240 (180 - 270)
Nominal grid Frequency/range[Hz]	50/60	50/60	50/60

### BATTERY

Compatible battery type	Lithium-ion / Lead Acid		
Battery voltage range [V]	85-400		
Recommended battery voltage[V]	300		
Max.continuous charge/discharge current [A]	20		
Communication interfaces	CAN/ RS485		
Reverse connect protection	YES		

### EPS OUTPUT(WITH BATTERY)

EPS MAX. continuous apparent power [VA]	5000	6000	6000
EPS rated voltage[V],Frequency [Hz]	230, 50/60	230, 50/60	230, 50/60
EPS MAX.continuous current [A]	21.7	26	26
EPS peak apparent power [VA]	6000	8000	8000
Changeover time [ms]	<500	<500	<500
THDv, linear Load [%]	<2	<2	<2
Changeover device	External	External	External

### EFFICIENCY

Max. Battery charge efficiency (GRID to BAT)	95.60
Max. Battery discharge efficiency (BAT to AC)	97.00

### POWER CONSUMPTION

Standby consumption (Night) [W]	<15 for hot standby, <3 for cold standby
---------------------------------	--

### SAFETY& PROTECTION

Over/under voltage protection	YES
Monitoring ground fault protection	YES
Grid protection	YES

### STANDARD

Safety	IEC61407
EMC	EN 61000-6-1 / EN 61000-6-2 / EN 61000-6-3
Certification	VDE 0126-1-1 A1:2012 / VDE-AR-N 4105 /G99 / G98 / AS4777 / EN50549/ CEI 0-21 / VDE 2510 / and so on

### ENVIRONMENT LIMIT

Degree of protection(according to IEC60529)	IP65
Operating temperature range [°C]	-20 ~ +60 (derating at +45)
Max. operation altitude [m]	<2000
Humidity [%]	0~100 (condensing)
Storage temperature [°C]	-20 ~ +60
Typical noise emission [dB]	40

### DIMENSION AND WEIGHT

Dimensions(WxHxD) [mm]	476*464*180
Weight [kg]	23
Cooling concept	Natural
Topology	Non-isolated
Communication interfaces	Ethernet/Meter/Pocket WiFi(optional)/Pocket LAN(optional)/Pocket GPRS(optional)/DRM/USB/ISO alarm/CT
LCD display	Backlight 20*4 character
Standard warranty [year]	5-10